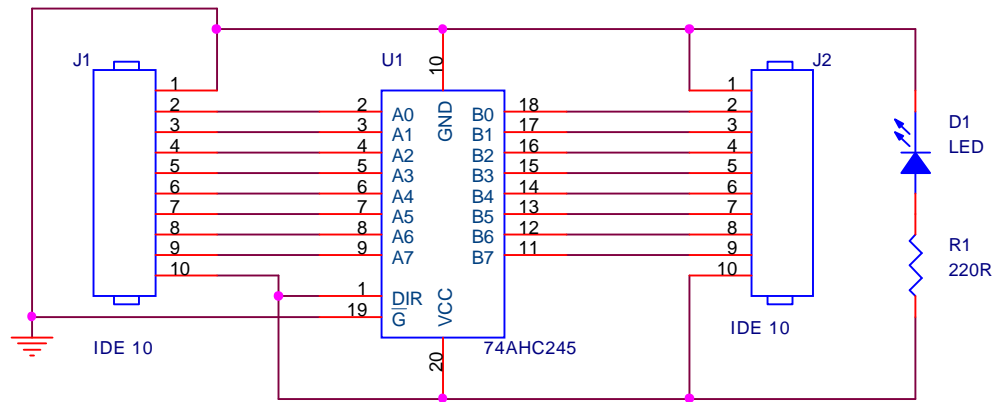


buffers

Cantidad	Referencia	Valor
1	1 D1	LED Vcc
2	2 J1, J2	Conector 2x5 cable plano
3	1 R1	220R / 470R 0.25W (LED Vcc)
4	1 U1	74xx245



Title		
Buffer de un puerto de 8 bits		
Size	Document Number	Rev
A	Buffer	1
Date:	Thursday, May 05, 2005	Sheet 1 of 1

