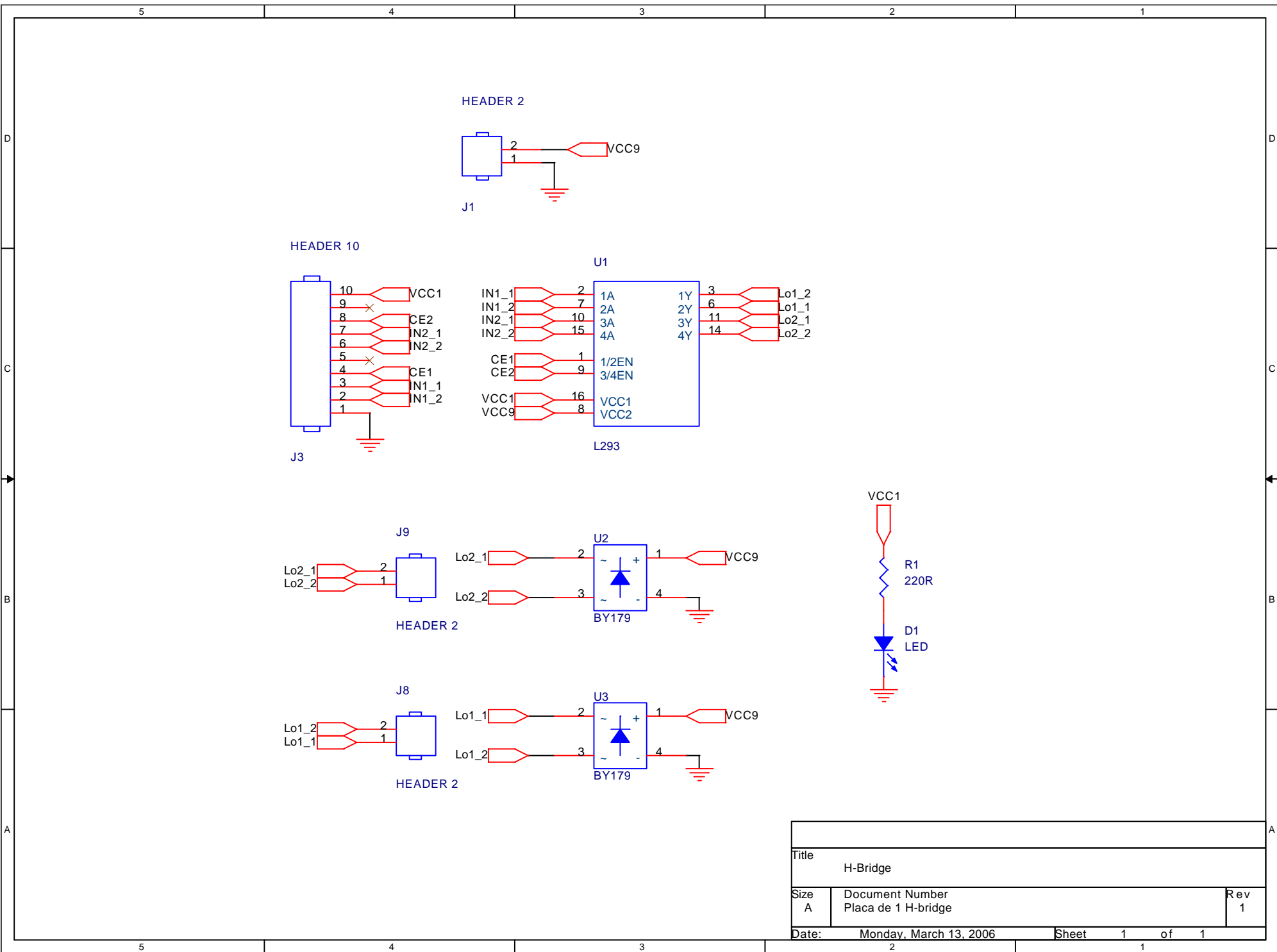


h-bridge

| Cantidad | Referencia | Valor |
|----------|------------|--------------------------------|
| 1 | 1 D1 | LED Vcc |
| 2 | 2 J8,J9 | 2 pines poste para motores |
| 3 | 1 J1 | 2 pines poste para Vcc motores |
| 4 | 1 J3 | Conector 2x5 cable plano |
| 5 | 1 R1 | 220R / 470R 0.25W (LED Vcc) |
| 6 | 1 U1 | L293 |
| 7 | 2 U3,U2 | BY179 |



| | | |
|----------|------------------------|--------------|
| Title | | |
| H-Bridge | | |
| Size | Document Number | Rev |
| A | Placa de 1 H-bridge | 1 |
| Date: | Monday, March 13, 2006 | Sheet 1 of 1 |

